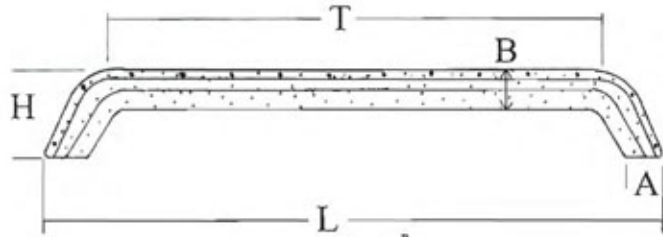


FAX us the Dimensions, Year, Make and Model of the fender skirt you need

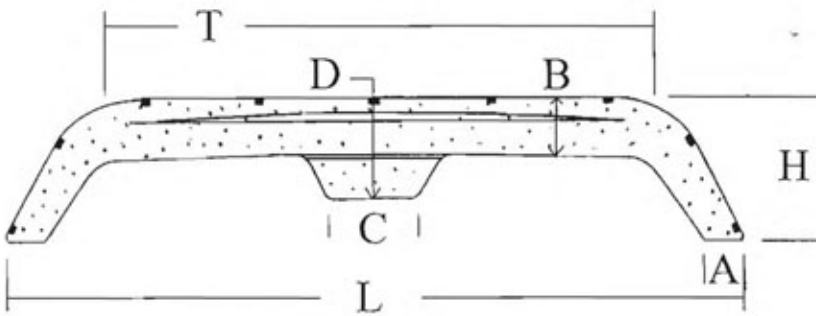
## TANDEM SKIRTS

T (top) measurement: \*Due to difficulty in getting an accurate measurement across the top of the fender skirt, measure 1" down from the top then straight across



L: \_\_\_\_\_

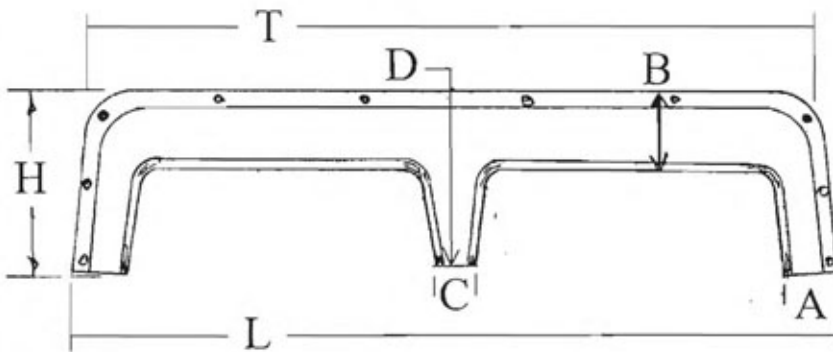
H: \_\_\_\_\_



A: \_\_\_\_\_

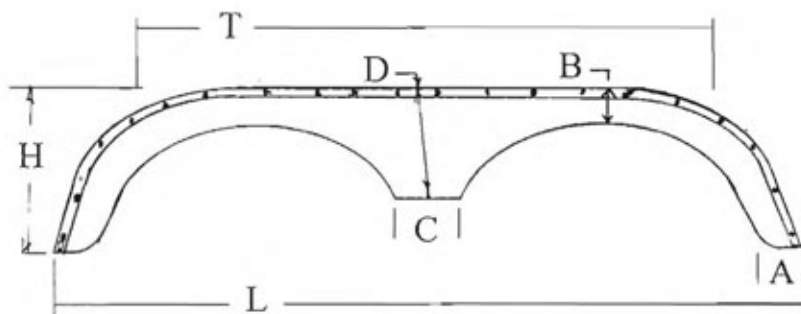
B: \_\_\_\_\_

C: \_\_\_\_\_



D: \_\_\_\_\_

T: \_\_\_\_\_



**Year:** \_\_\_\_\_

**Make:** \_\_\_\_\_

**Model:** \_\_\_\_\_

**Plastic / Fiberglass** \_\_\_\_\_

Your Company: \_\_\_\_\_

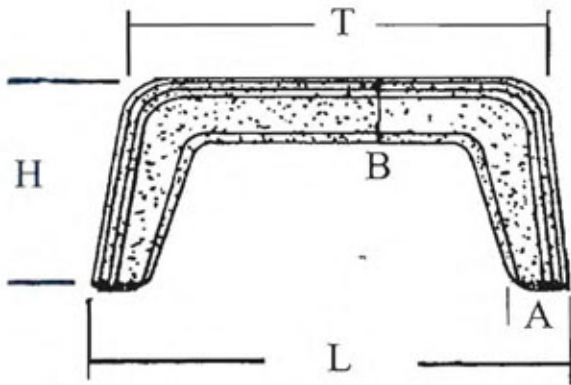
Contact name: \_\_\_\_\_

Phone or FAX number: \_\_\_\_\_

FAX us the Dimensions, Year, Make and Model of the fender skirt you need

## SINGLE SKIRTS

T (top) measurement: \*Due to difficulty in getting an accurate measurement across the top of the fender skirt, measure 1" down from the top then straight across



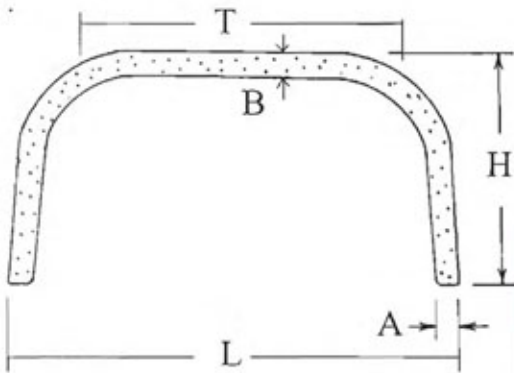
L: \_\_\_\_\_

H: \_\_\_\_\_

A: \_\_\_\_\_

B: \_\_\_\_\_

T: \_\_\_\_\_

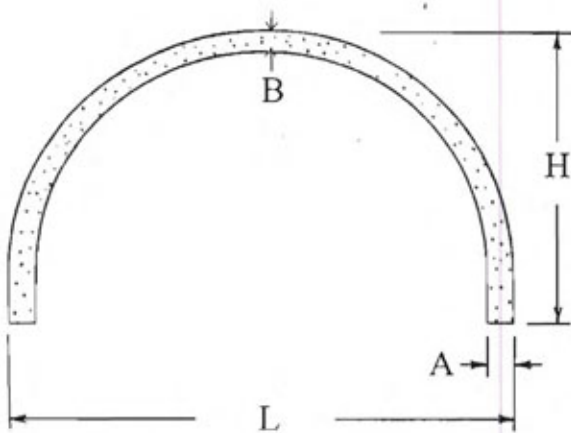


Year: \_\_\_\_\_

Make: \_\_\_\_\_

Model: \_\_\_\_\_

Plastic / Fiberglass



Your Company: \_\_\_\_\_  
 Contact name: \_\_\_\_\_  
 Phone or FAX number: \_\_\_\_\_